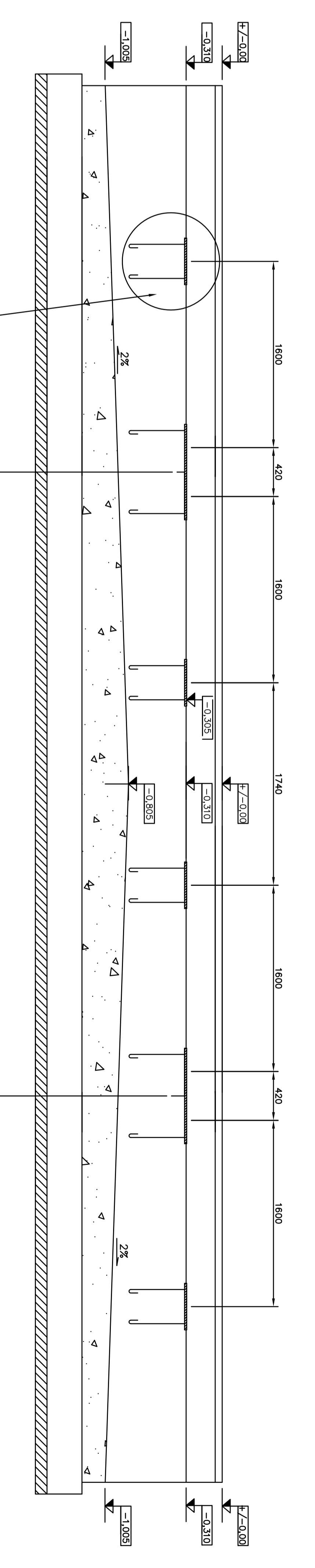
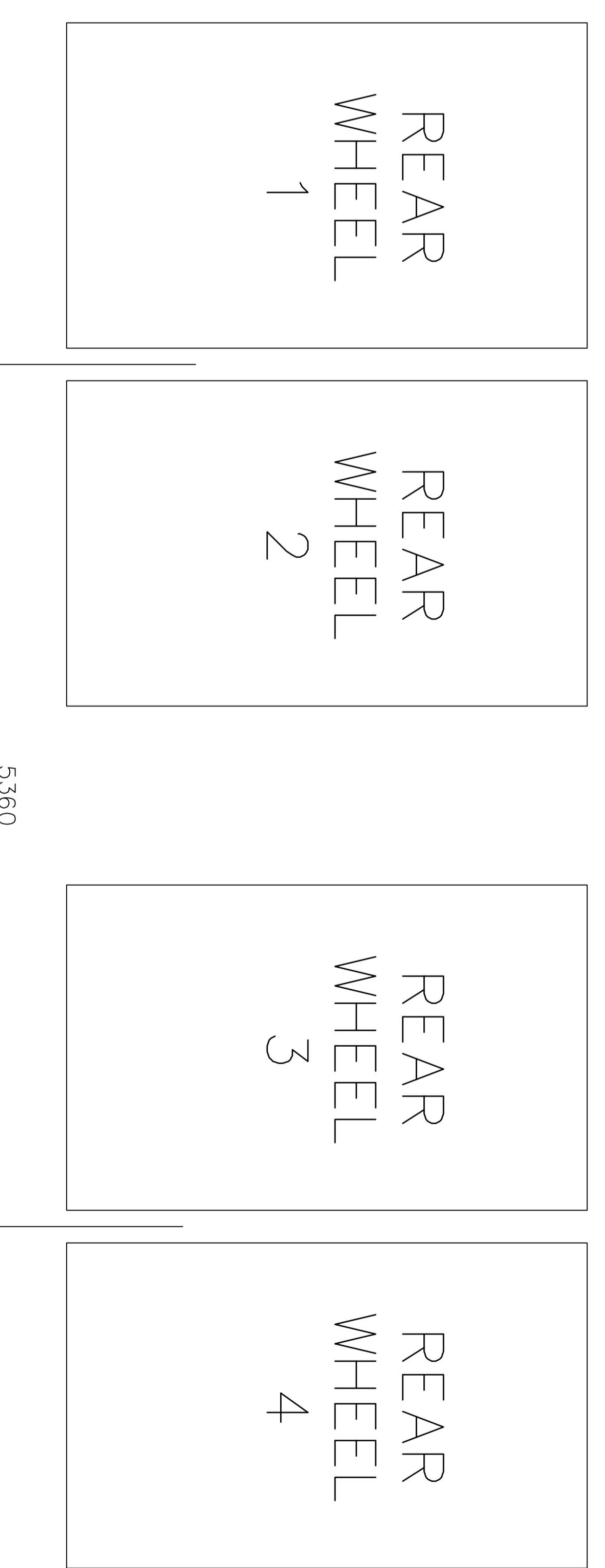
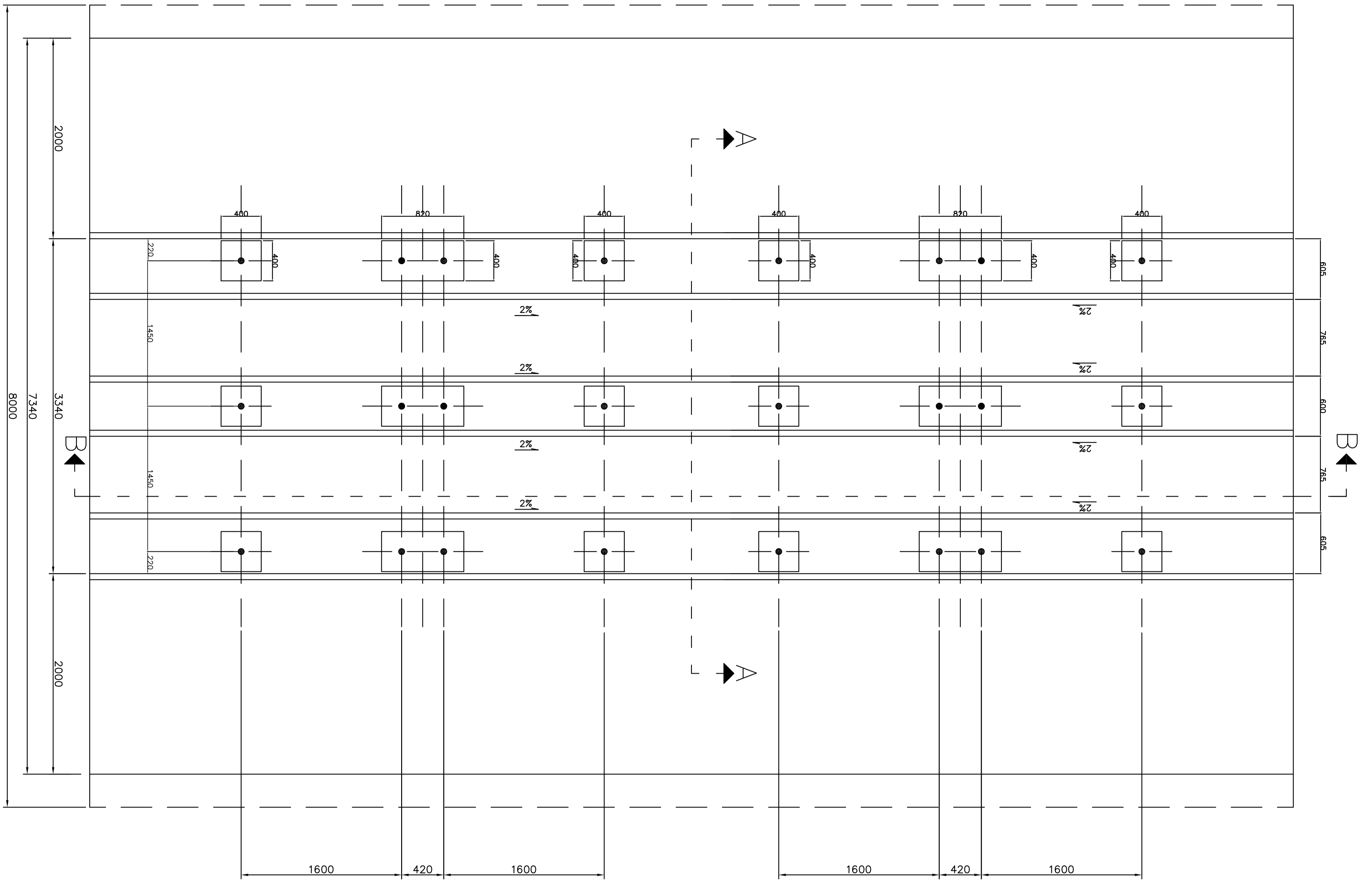
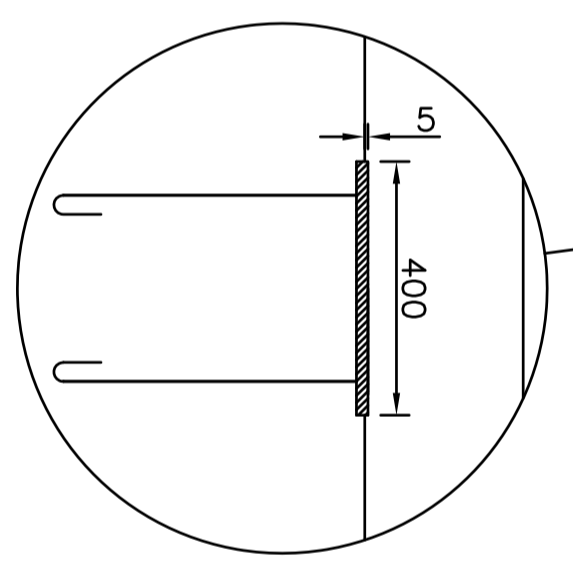


A-A



B-B



Technical Requirement

1. This drawing only provides the user with dimensions required for design and construction of the pits. The thickness of the wall and the base, and other relevant construction design will be determined based on site conditions. Strength of the pit is no less than 150 KPa (15t/m²)
2. Material: Rio Q335-A, Concrete C30, concrete base layer C15
3. A drainage pit is required near the foundation; an inclined drainage conduit is to be installed in between the foundation and the drainage pit.
4. 2/3 of the rio must be welded together, the foot of the embedded parts must be welded to the rio.
5. Concrete must be filled thoroughly underneath the embedded board, embedded board levelness 1/500 or better, maximum height difference between each board is 2mm.
6. Conduit must be installed (Ø100) for cables in between the scales and controller.
7. Curved conduit must have a radius no less than 200mm.
8. Earthing is required with the resistance no greater than 4Ω. Professional lightning protection device is required at lightning strike zone.

Itemref	Quantity	Title/Name, designation, material, dimension etc	Article No./Reference
Designed by Dean Morfitt	Checked by	Approved by - date	Date 08/08/2013
File name			Scale NTS
FOR4__ foundation OT from Datum			
FOR4__20130808A			Edition 0
			Sheet 1/1

