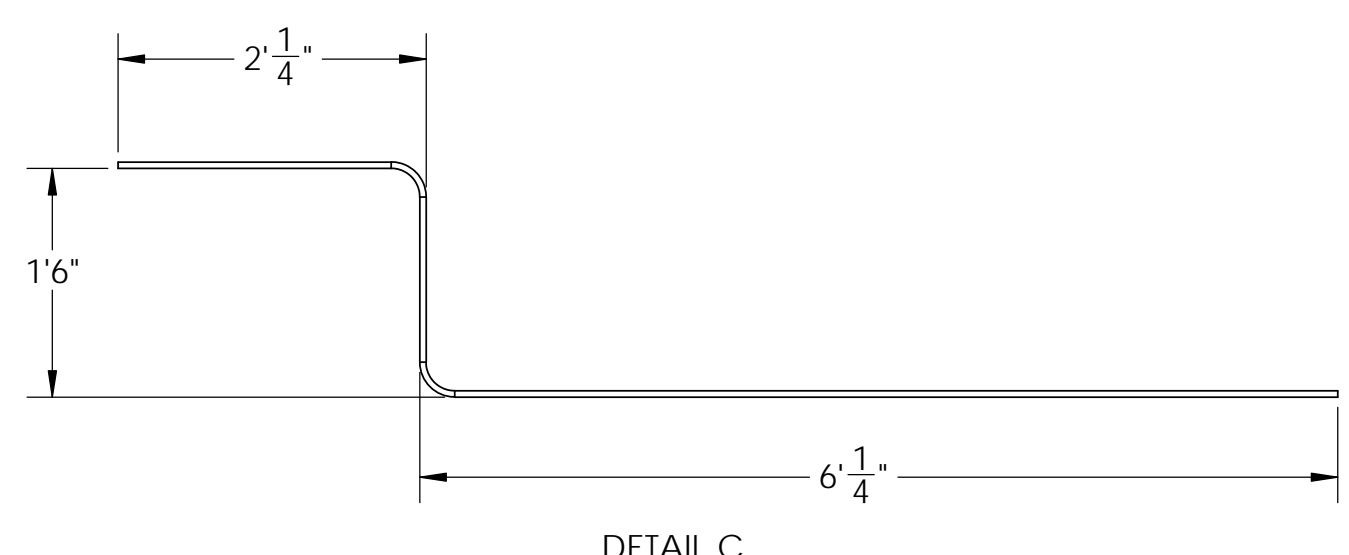
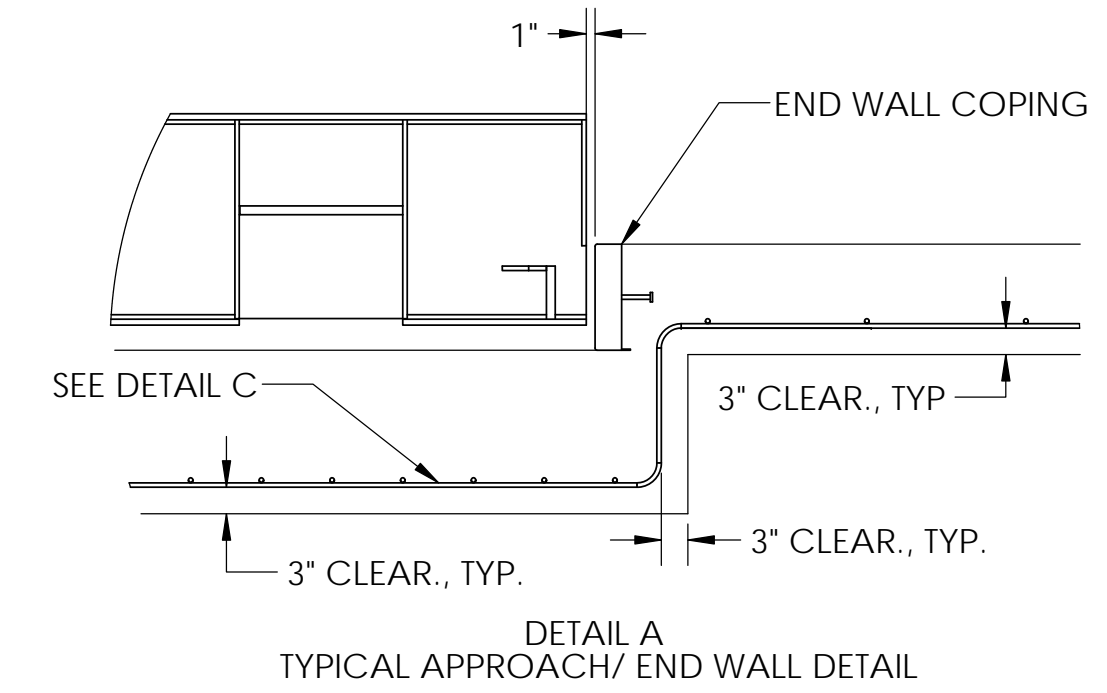
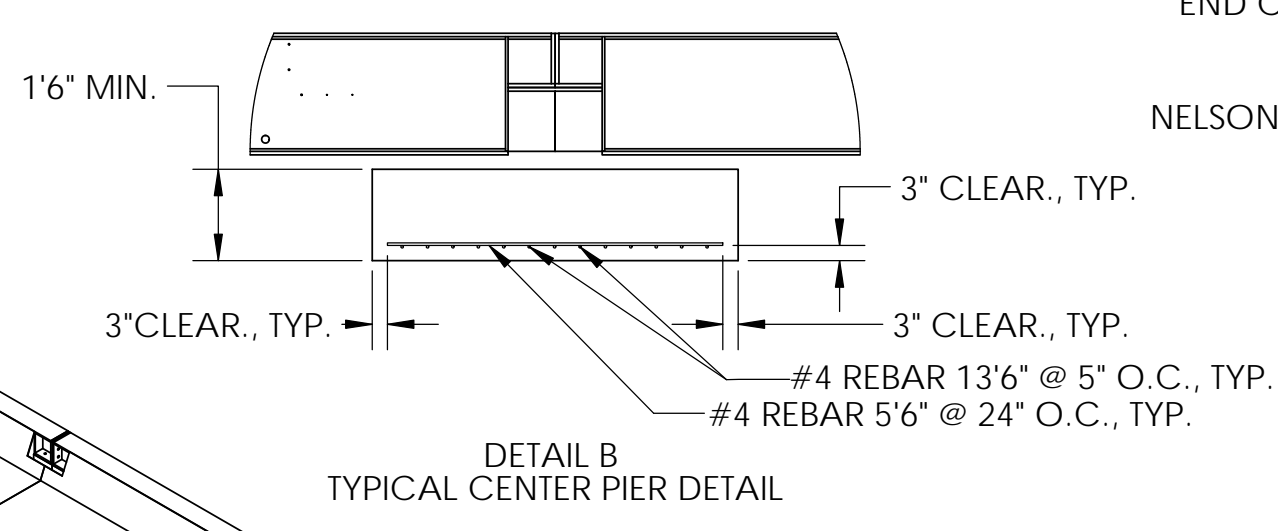
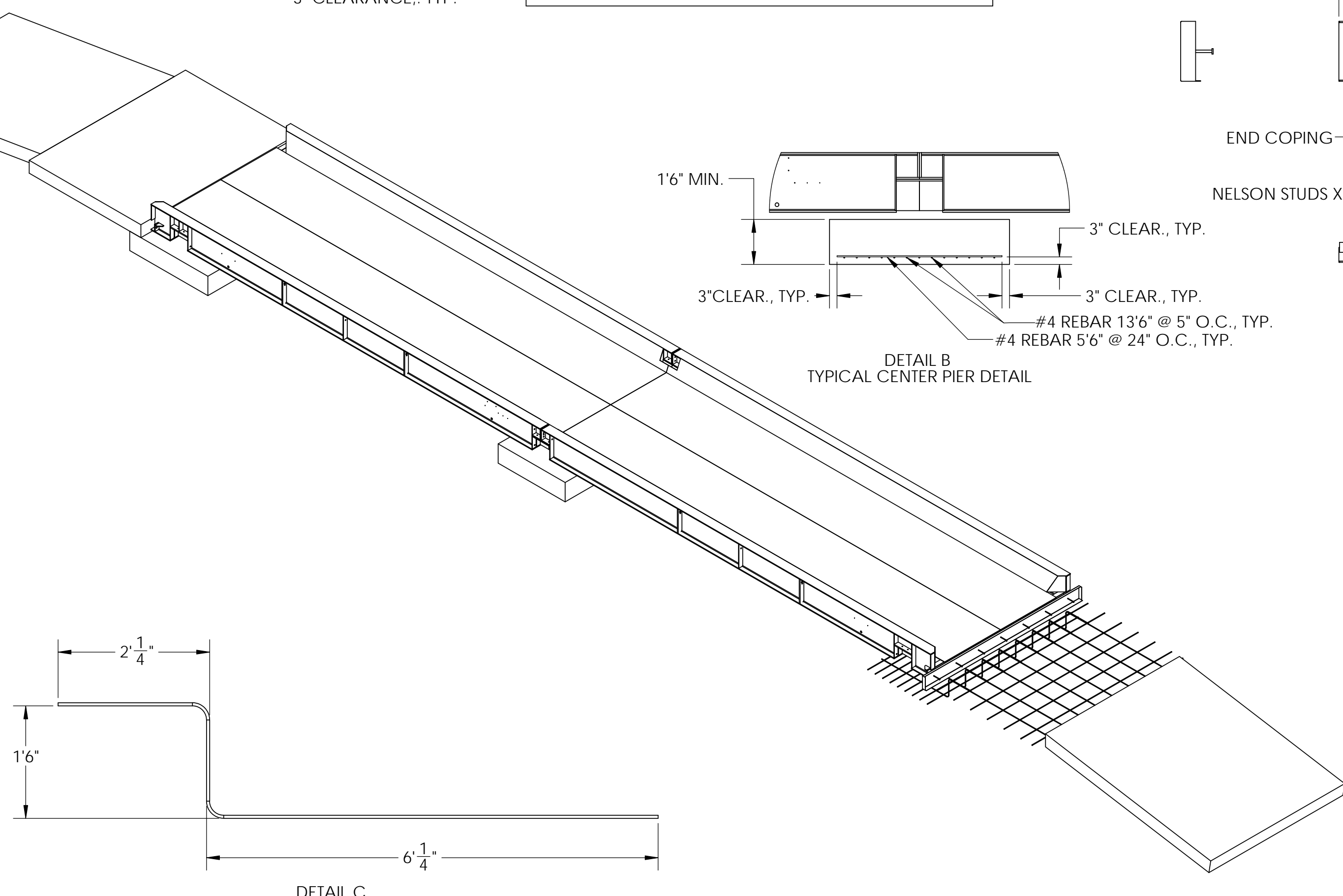


- FOUNDATION NOTES:**
1. THE FOUNDATION SHOWN IS A RECOMMENDED MINIMUM FOUNDATION BY SOUTHWESTERN SCALE CO. INC. YOUR LOCAL WEIGHTS AND MEASURES SPECIFICATIONS AND REQUIREMENTS MAY DIFFER FROM WHAT IS SHOWN. IT IS THE SOLE RESPONSIBILITY OF THE FOUNDATION CONTRACTOR AND/OR CUSTOMER TO DEFINE THOSE REQUIREMENTS PRIOR TO FOUNDATION CONSTRUCTION. SOUTHWESTERN SCALE CO. INC. IS NOT LIABLE FOR COMPLIANCE TO ANY PARTICULAR STATE, COUNTY, OR LOCAL MUNICIPALITY SPECIFICATIONS.
 2. THE FOUNDATION REBAR DETAILS SHOWN ARE SUGGESTED TYPICAL CONFIGURATIONS. ACTUAL REBAR CONFIGURATIONS WILL VARY DEPENDING ON THE FOUNDATION CONTRACTORS TYPICAL PRACTICES BECAUSE OF THIS NO "STANDARD" REBAR SCHEDULE IS PROVIDED. CONSULT YOUR LOCAL WEIGHTS & MEASURES SPECIFICATION AND/ OR CIVIL ENGINEERING FIRM FOR PARTICULAR QUESTIONS REGARDING REBAR IN YOUR PLAN.
 3. DIG HOLES FOR PIER-ONLY FOUNDATION TO A LEVEL BELOW LOCAL FROST LINE CODES.
 4. FOUNDATION DESIGN BASED ON MINIMUM SOIL BEARING CAPACITY OF 3000 LB/FT².
 5. FOUNDATION TO BE INSTALLED AS TO INSURE PROPER DRAINAGE AWAY FROM SCALE.
 6. REINFORCING STEEL TO CONFORM TO ASTM A615 GRADE 60 SPECIFICATIONS. #4 (1/2" DIA.) REBAR IS STANDARD.
 7. CONCRETE OF 3500 PSI COMPRESSIVE STRENGTH REQUIRED.
 8. END CHANEL - USED AS FORM, DETAIL "A" FURNISHED BY SOUTHWESTERN SCALE CO. INC.
 9. PIERS MUST BE LEVEL AND IN THE SAME PLANE WITHIN ± 1/8".
 10. SIDE OF SCALE, ADJACENT TO PIERS, MUST BE ACCESSIBLE FOR MAINTENANCE.
 11. PROVIDE 1" CONDUIT FROM CENTER / SIDE OF SCALE TO INDICATOR LOCATION.
 12. SITE ENGINEER MUST VERIFY LOCAL CONDITION AND SEAL, IF REQUIRED.
 13. RAMP MUST HAVE A SLOPE 1:12 (8% GRADE)
 14. APPROXIMATE CONCRETE REQUIREMENTS:
 1. APPROACHES: 11.00 CUBIC YARDS
 2. END PIERS: 1.00 CUBIC YARDS
 3. CENTER PIER: 5.00 CUBIC YARDS
 4. RAMPS: 14.00 CUBIC YARDS
 15. FOUNDATION TOLERANCES
 LENGTH: +3/8", -0"
 HEIGHT: +1/8", -0"



APPROVAL PLAN		NAME	DATE
DRAWN			
CHECKED			
ENG APPR.			
MFG APPR.			

UNLESS OTHERWISE SPECIFIED: DIMENSIONS ARE IN INCHES TOLERANCES:
 MACHINED - FRACTIONAL ± 1/32"
 FABRICATED - FRACTIONAL ± 1/16"
 FLATNESS ± 1/8"
 SQUARENESS ± 1/8"
 ALL WELDS TO BE 1/4" FILLET CONTINUOUS UNLESS OTHERWISE SPECIFIED.

PROPRIETARY AND CONFIDENTIAL: THE INFORMATION CONTAINED IN THIS DRAWING IS THE SOLE PROPERTY OF SOUTHWESTERN SCALE CO. INC. ANY REPRODUCTION IN PART OR AS A WHOLE WITHOUT THE WRITTEN PERMISSION OF SOUTHWESTERN SCALE CO. INC. IS PROHIBITED.

SOUTHWESTERN SCALE CO. INC.
 2535 W BROADWAY PHOENIX, AZ 85041

TITLE: **MODEL: 7070**
70 TON CAPACITY
70' X 11' STEEL DECK

SIZE DWG. NO. **D 70Foundation** REV **A**

DRAWING NOT TO SCALE SHEET 1 OF 1